



TIER II CERTIFIED

580 Super M Series 2 Loader/Backhoe

ENGINE

Model Case 445T/M2 diesel
 Type..... 4-stroke, turbocharged
 Cylinders 4
 Bore/Stroke..... 4.09" x 5.19"
 (104 x 132 mm)
 Displacement 272 in³ (4.5 L)
 Fuel injection..... Direct
 Fuel..... Diesel
 Fuel filter..... w/water trap
 Air intake Cross-flow
 Cooling..... Liquid
 Engine speeds* (rpm)
 Rated speed, full load 2200
 Low idle..... 800 - 900
 High idle, no load 2380 - 2480
 Horsepower
 Gross 95 (71 kW) @ 2200 rpm
 Net 90 (67 kW) @ 2200 rpm
 Maximum torque @ 1500 rpm
 Gross..... 294 lb·ft (398 N·m)
 Net 289 lb·ft (392 N·m)
 Torque rise at rated speed 29%

NOTE: *Engine speeds with standard transmission. Meets federal emission regulations.

ENGINE COOLING

Radiator
 Core type Square wave
 Core size area..... 487 in² (.315 m²)
 Rows of tubes 5
 Fan
 Style 7 blade suction
 Diameter 19.6" (500 mm)
 Ratio 1.1:1
 Water pump
 Style Integral
 Engine oil
 Pump..... Deep sump plate cooler with pressurized under-piston nozzles
 Pump operating angle ratings
 Side-to-side Rated 35°
 Fore and aft..... Rated 35°
 Oil filtration Replaceable, full-flow cartridge

TIRES

Front
 2WD - 11L x 16.1, 10-ply rating
 4WD - 12 x 16.5, 8-ply rating
 Rear
 2/4WD - 17.5L x 24, 10-ply rating
 2/4WD - 19.5L x 24, 10-ply rating

POWERTRAIN

Transmission 4-speed synchromesh with hydraulically actuated clutches and electric F/R shuttle control, clutch disconnect buttons on the transmission shifter and loader control lever
 Gear ratios Forward Reverse
 1st..... 5.491 4.550
 2nd..... 3.043 2.522
 3rd..... 1.584 1.313
 4th..... 0.793 0.657
 Torque converter
 Ratio 2.63
 Differential lock..... On-the-go push-button activation
 Front 4WD axle
 Differential ratio 2.0
 Planetary hub ratio 6.0
 Total reduction ratio 12.0
 Rear axle
 Differential ratio 2.333
 Planetary hub ratio 6.923
 Total reduction ratio 16.153
 Service brakes.. Individually applied, hydraulically actuated, maintenance-free, self-adjusting, inboard mounted, wet disc
 Disc area 53 in² (.03 m²)
 Parking brakes..... Mechanically applied with electric activation sensors at each brake
 Travel speeds - mph (km/h)
 1st 2nd 3rd 4th
 Forward..... 3.5..... 6.7..... 13.5..... 25.5
 (5.7) (10.8) (21.7) (41.0)
 Reverse..... 4.3..... 8.1..... 16.3..... 30.8
 (6.9) (13.0) (26.2) (49.6)

NOTE: Travel speeds at 2324 engine rpm with 19.5 x 24 tires.

ELECTRICAL

Voltage 12 volts, negative ground
 Alternator 90 amp
 Battery..... 850 cold-cranking amps
 Optional batteries (2) 600 cold-cranking amps
 Power plugs..... (2) 30 amps ea.

HYDRAULICS

Pump Gear-type tandem, transmission driven
 Main relief pressure
 3050 + 50 - 50 psi @ 38 gpm
 (210 + 3 - 3 bar @ 144 L/min)
 Filtration 7-micron, full flow replaceable cartridge on return line, condition indicator light for filter
 Oil cooler Heavy-duty
 Loader flow @ rated engine rpm
 28.5 gpm @ 3050 psi
 (108L/min @ 210 bar)
 Loader control valve Monoblock single lever control for lift, tilt and auxiliary hydraulics, positive hold float and return-to-dig
 Loader auxiliary hydraulics
 with full loader flow available
 14 to 28.5 gpm
 (53 to 108 L/min)
 Backhoe flow @ rated engine rpm
 38 gpm @ 3050 psi
 (144 L/min @ 210 bar)
Manual Backhoe Controls
 Backhoe Control Valve... Monoblock open-center, parallel circuits.
 Boom and dipper, with pilot operated checks
Pilot Backhoe Controls
 Backhoe Control Valve..... Sectional closed-center with inlet compensator and circuits in parallel.
Backhoe auxiliary hydraulics.....
 Uni-directional flow, adjustable
 variable flow from 0 to 36 gpm
 (136L/min)
 Control operation
 Manual... Foot switch activated
 PilotButton on left joystick
 Bi-Directional flow, variable flow from
 0 to 38 gpm
 (144 L/min) @ rated engine rpm
 Control operation
 Manual Hand lever
 PilotButtons on left joystick

OPERATOR ENVIRONMENT

ROPS/FOPS canopy
Key start
Hydrostatic steering
Non-suspension seat w/180° swivel
Hand and foot throttles
Loader control lever w/push-button activation of differential lock and transmission de-clutch
Backhoe foot-swing w/3 lever control
(2) Accessory power plugs (30 amp)
Anti-vandalism covers (canopy only)
Cup holder
Coat hook w/tether strap (cab only)
Interior rearview mirror
2" (51 mm) retractable seat belt
Storage compartment w/lid
Left side storage tray

INSTRUMENTATION

Gauges
Engine water temperature
Converter oil temperature
Fuel
Tachometer/hourmeter
Voltmeter
Warning lights
Air cleaner restriction
Alternator
A/C low/high pressure
Cold start
Engine oil pressure
Hydraulic oil filter bypass
Parking brake
Rear axle fluid temperature sensing system
Low fuel
Audible alarms
Coolant temperature
Engine oil pressure
Parking brake engagement
Shuttle engagement/seat position
Backup alarm
Turn signal indicators
Horn - dual switched front & rear

TURNING DIAMETER

2WD
Brakes on..... 21'3" (6.48 m)
Brakes off..... 24'8" (7.52 m)
4WD – engaged
Brakes on..... 22'1" (6.72 m)
Brakes off..... 28'3" (8.62 m)
4WD – disengaged
Brakes on..... 22'0" (6.70 m)
Brakes off..... 25'3" (7.70 m)

NOTE: Turning diameter dimensions curb to curb w/general purpose bucket.

OPERATING WEIGHTS

Lightest Configuration
Unit equipped with 2WD, ROPS canopy, non-suspension seat, 82" (2.08 m) general purpose loader bucket, 24" (610 mm) Universal backhoe bucket, standard dipper, 17.5L x 24 rear tires, 11L x 16.1 front tires, single battery, standard cast stabilizer pads, no operator..... 14,285 lb (6480 kg)

Heavy Configuration
Unit equipped with 4WD, ROPS cab, suspension seat, 82" (2.08 m) 4 IN 1® loader bucket, 24" (610 mm) Universal backhoe bucket, Extendahoe® dipperstick, 19.5L x 24 rear tires, dual batteries, flip stabilizer pads, no operator..... 17,545 lb (7958 kg)

Add-on weights

Cab (over canopy) ... +454 lb (206 kg)
Counterweights..... +440 lb (200 kg)
+900 lb (408 kg)
Extendahoe® +496 lb (225kg)
4WD w/driveshaft guard..... +283 lb (128 kg)

SERVICE CAPACITIES

Fuel tank 31.4 gal (119 L)
Optional tank 40 gal (151 L)
Hydraulic system
Total 31.5 gal (119 L)
Total w/Extendahoe® 33.0 gal (125 L)
Reservoir w/filter.. 14.5 gal (54.9 L)
Reservoir w/o filter ... 14.0 gal (53 L)
Transmission
2WD Total system .. 19.5 qt (18.5 L)
4WD Total system .. 22.0 qt (20.8 L)
4WD Front axle
Differential..... 5.8 qt (5.5 L)
Planetaries (each)..... 0.7 qt (0.66 L)
Rear axle
Differential..... 15.0 qt (14.2 L)
Planetaries (each)..... 1.6 qt (1.5 L)
Engine oil w/filter 14.4 qt (13.6 L)
Cooling system
w/heater 19.0 qt (18.0 L)
w/o heater..... 18.3 qt (17.3 L)
Window washer reservoir..... 2.5 qt (2.36 L)

LOADER

Single-lever control for lift and tilt
Positive hold float
Return-to-dig
Automatic self-leveling
In-line, reverse linkage
Dual parallel dump cylinders
Clutch disconnect button on loader control and shift levers
Bucket position indicator

Loader Bucket Sizes

General Purpose Bucket

Width	Weight	Struck	Heaped
82" (2.08 m)	686 lb* (311 kg)	0.87 yd ³ (0.67 m ³)	1.03 yd ³ (0.79 m ³)
93" (2.36 m)	933 lb* (423 kg)	1.07 yd ³ (0.82 m ³)	1.25 yd ³ (0.96 m ³)

4 IN 1® Bucket

Width	Weight	Struck	Heaped
82" (2.08 m)	1,462 lb (663 kg)	0.85 yd ³ (0.65 m ³)	1.04 yd ³ (0.80 m ³)

NOTE: *Add 103 lb (47 kg) for bolt-on cutting edge.

BACKHOE

Over-center design
Cast, ductile iron boom, and swing tower
Open-center hydraulics - Pro Control System
17, 940 lb-ft (24 370 N-m) swing torque
Case attachment coupler
Foot-swing w/3 lever control
Wing stabilizers w/cleated dirt pad

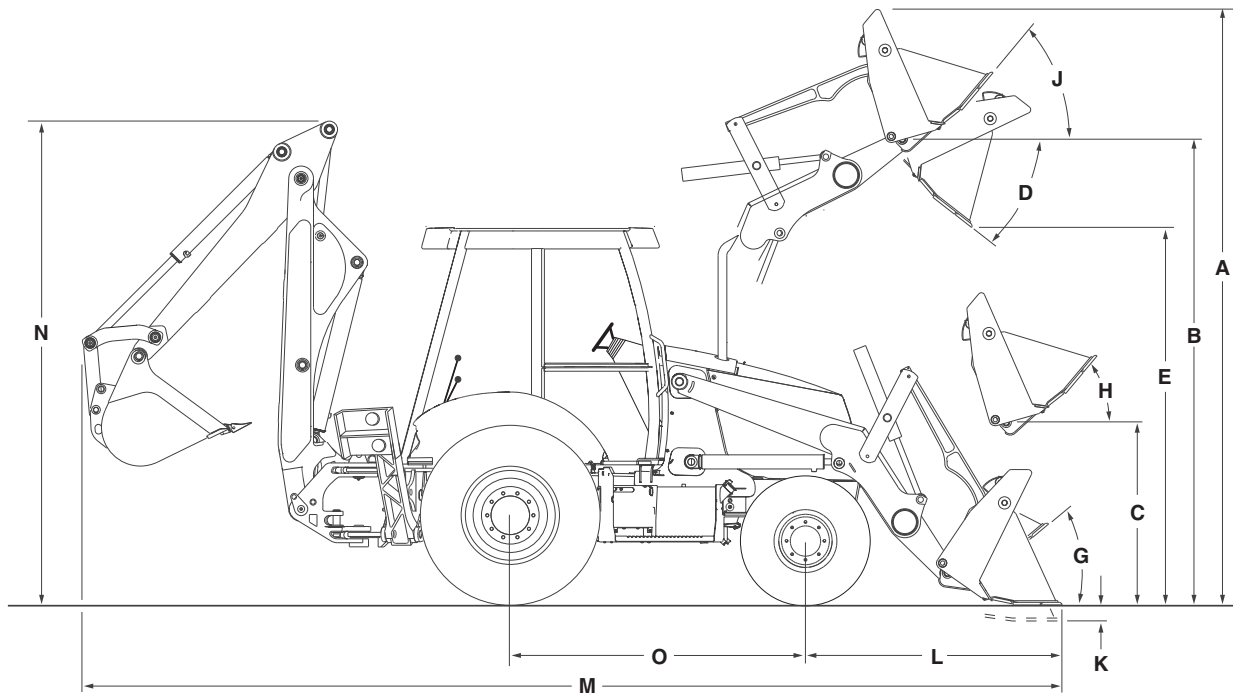
Backhoe Bucket Sizes

Universal Buckets

Width	Weight	Heaped
12" (305 mm)	290 lb (132 kg)	3.40 ft ³ (0.10 m ³)
16" (406 mm)	346 lb (157 kg)	3.60 ft ³ (0.10 m ³)
18" (457 mm)	350 lb (159 kg)	5.30 ft ³ (0.15 m ³)
24" (610 mm)	413 lb (187 kg)	7.70 ft ³ (0.22 m ³)
30" (762 mm)	475 lb (215 kg)	10.20 ft ³ (0.29 m ³)
36" (914 mm)	535 lb (243 kg)	12.70 ft ³ (0.60 m ³)

High Capacity Buckets

Width	Weight	Heaped
24" (610 mm)	450 lb (204 kg)	8.50 ft ³ (0.24 m ³)
30" (762 mm)	517 lb (235 kg)	10.60 ft ³ (0.3 m ³)



LOADER DIMENSIONS

General Purpose Bucket* 4 IN 1® Bucket

A. Overall operating height – fully raised.....	13'11" (4.25 m)	14'3" (4.34 m)
Height to –		
B. Bucket hinge pin fully raised.....	11'2" (3.4 m)	11'2" (3.4 m)
C. Bucket hinge pin @ SAE carry	13.1" (334 mm)	14.6" (372 mm)
D. Dump angle @ full height.....	45°	45°
E. Dump clearance @ full height, 45° dump –		
Bucket.....	8'10" (2.69 m)	8'11" (2.72 m)
Clam open.....	NA	9'8" (2.95 m)
F. Dump reach @ full height, 45° dump –		
Bucket	30.0" (763 mm)	27.8" (707 mm)
Clam open.....	NA	14.3" (362 mm)
Bucket rollback –		
G. @ groundline	40°	40°
H. @ SAE carry	45°	45°
J. @ full height.....	Adjustable	Adjustable
K. Digging depth below grade –		
Bucket flat.....	5.9" (149 mm)	6.8" (180 mm)
Clam open (dozing)	NA	4.1" (103 mm)
L. Reach from front axle centerline – bucket on ground	77.6" (1.97 m)	75.2" (1.91 m)
Lift capacity to full height	6,182 lb (2804 kg)	5,514 lb (2501 kg)
Breakout force –		
Lift cylinders.....	9,164 lbf (40 760 N)....	8,904 lbf (39 600 N)
Dump cylinders	9,480 lbf (42 170 N)..	10,302 lbf (45 820 N)
Bucket cutting edge width.....	82" (2.08 m)/93" (2.36 m)	82" (2.08 m)
Maximum grading angle	116°	116°
Maximum clam opening.....	NA	38.3" (972 mm)
Moldboard height	NA	36.8" (934 mm)
Raising time to full height	3.4 sec	3.4 sec
Bucket dumping time.....	1.5 sec	1.5 sec
Lowering time –		
Power down	2.4 sec	2.4 sec
Return-to-dig.....	3.2 sec	3.2 sec
Clam –		
Open time	NA	2.3 sec
Close time	NA	3.1 sec

NOTE: Loader dimensions taken with 4WD,
19.5L x 24 rear tires and 82" (2.08 m) general
purpose bucket *without bolt-on cutting edge.

DIMENSIONS

	Standard Backhoe		Extendahoe®	
			Retracted	Extended
M. Overall transport length –				
General purpose bucket.....	22'10" (6.95 m)	22'10" (6.95 m)	22'10" (6.95 m)	NA
4 IN 1® bucket.....	22'8" (6.92 m)	22'8" (6.92 m)	22'8" (6.92 m)	NA
Overall transport width.....	7'2" (2.18 m)	7'2" (2.18 m)	7'2" (2.18 m)	NA
Height –				
To top of canopy.....	8'9" (2.67 m)	8'9" (2.67 m)	8'9" (2.67 m)	8'9" (2.67 m)
To top of cab.....	8'10" (2.69 m)	8'10" (2.69 m)	8'10" (2.69 m)	8'10" (2.69 m)
To top of exhaust stack.....	8'6" (2.59 m)	8'6" (2.59 m)	8'6" (2.59 m)	8'6" (2.59 m)
N. Transport.....	10'10" (3.29 m)	11'3" (3.42 m)	11'3" (3.42 m)	NA
Ground clearance at backhoe frame.....	14.6" (371 mm)	14.6" (371 mm)	14.6" (371 mm)	14.6" (371 mm)
Angle of departure.....	20°	20°	20°	20°
Front wheel tread –				
2WD.....	67.5" (1.71 m)	67.5" (1.71 m)	67.5" (1.71 m)	67.5" (1.71 m)
4WD.....	67.7" (1.72 m)	67.7" (1.72 m)	67.7" (1.72 m)	67.7" (1.72 m)
Width across tires				
17.5L x 24.....	81.7" (2.07 m)	81.7" (2.07 m)	81.7" (2.07 m)	81.7" (2.07 m)
19.5L x 24.....	81.4" (2.67 m)	81.4" (2.67 m)	81.4" (2.67 m)	81.4" (2.67 m)
O. Wheelbase –				
2WD.....	84" (2.13 m)	84" (2.13 m)	84" (2.13 m)	84" (2.13 m)
4WD.....	84.5" (2.15 m)	84.5" (2.15 m)	84.5" (2.15 m)	84.5" (2.15 m)

NOTE: Dimensions taken with 19.5L x 24 rear tires and 11L x 16 front tires except that data marked 4WD is taken with 12 x 16.5 front tires.

CYLINDERS

	Bore Diameter	Rod Diameter	Stroke
Loader			
Lift (2).....	3.25" (82.6 mm)	1.75" (44.5 mm)	30.2" (766 mm)
Bucket (2).....	3.0" (76 mm)	1.5" (38.1 mm)	20.6" (522 mm)
4 IN 1® clam (2).....	3.0" (76 mm)	1.75" (44.5 mm)	9.1" (231 mm)
Backhoe			
Boom.....	5.25" (133.4 mm)	2.50" (63.5mm)	33.2" (842 mm)
Dipperstick.....	5.0" (127 mm)	2.5" (63 mm)	22.9" (583 mm)
Bucket.....	3.5" (89 mm)	2.5" (63 mm)	34.3" (872 mm)
Extendahoe®.....	3.0" (76 mm)	1.75" (44.5 mm)	42.0" (1.07 m)
Swing (2).....	4.0" (101.6 mm)	2.0" (50.8 mm)	11.5" (292 mm)
Stabilizer (2).....	4.25" (108 mm)	2.0" (50.8 mm)	21.8" (553 mm)
Steering			
2WD.....	2.75" (69.9 mm)	1.5" (38.1 mm)	6.7" (170 mm)
4WD.....	2.48" (63 mm)	1.5" (38.1 mm)	9.53" (242 mm)

BACKHOE LIFT CAPACITIES

Boom and Dipper Lift Capacities are rated per SAE J31 and are 87% of the maximum hydraulic lift force available with the specified options.

Boom Lift	Standard Backhoe		Extendahoe®			
	Distance from swing pivot (m)	Backhoe lift capacity - lb (kg)	Retracted		Extended	
			Distance from swing pivot (m)	Backhoe lift capacity - lb (kg)	Distance from swing pivot (m)	Backhoe lift capacity - lb (kg)
+16' (4.87 m)					12'5" (3.79)	1,350 (612)
+14' (4.27 m)	8'7" (2.62)	2,750 (1247)	9'6" (2.89)	2,350 (1066)	14'7" (4.45)	1,775 (805)
+12' (3.66 m)	11'2" (3.40)	3,050 (1383)	11'10" (3.61)	2,575 (1168)	16'2" (4.93)	1,850 (839)
+10' (3.05 m)	12'9" (3.89)	3,100 (1406)	13'4" (4.06)	2,700 (1225)	17'2" (5.23)	1,875 (850)
+8' (2.44 m)	13'11" (4.24)	3,050 (1383)	14'5" (4.40)	2,650 (1202)	18'0" (5.49)	1,875 (850)
+6' (1.83 m)	14'7" (4.45)	3,000 (1361)	15'2" (4.62)	2,600 (1179)	18'7" (5.67)	1,875 (850)
+4' (1.22 m)	15'0" (4.57)	2,900 (1315)	15'6" (4.72)	2,575 (1168)	18'10" (5.74)	1,875 (850)
+2' (0.61 m)	15'1" (4.60)	2,850 (1293)	15'7" (4.75)	2,525 (1145)	18'11" (5.77)	1,850 (839)
Ground Level	14'11" (4.55)	2,775 (1259)	15'5" (4.70)	2,425 (1100)	18'10" (5.74)	1,850 (839)
-2' (0.61 m)	14'5" (4.40)	2,675 (1213)	15'0" (4.57)	2,400 (1088)	18'5" (5.62)	1,800 (816)
-4' (1.22 m)	13'7" (4.14)	2,600 (1179)	14'2" (4.32)	2,300 (1043)	17'9" (5.41)	1,800 (816)
-6' (1.83 m)	12'4" (3.76)	2,600 (1179)	12'10" (3.91)	2,300 (1043)	16'9" (5.11)	1,800 (816)
-8' (2.44 m)	10'5" (3.18)	2,600 (1179)	11'2" (3.40)	2,300 (1043)	15'7" (4.75)	1,800 (816)
-10' (3.05 m)	7'6" (2.28)	2,825 (1281)	8'7" (2.62)	2,425 (1099)	13'11" (4.24)	1,850 (839)
-12' (3.66 m)					11'7" (3.53)	2,025 (918)
-14' (4.27 m)					7'11" (2.41)	2,450 (1111)
Dipper Lift						
+14' (4.27 m)					13'4" (4.06)	2,580 (1170)
+12' (3.66 m)	10'1" (3.08)	4,940 (2241)	10'7" (3.23)	4,360 (1978)	14'3" (4.35)	2,680 (1216)
+10' (3.05 m)	10'7" (3.23)	4,650 (2109)	11'2" (3.40)	4,190 (1901)	14'6" (4.42)	2,700 (1225)
+8' (2.44 m)	10'6" (3.20)	4,680 (2123)	10'11" (3.33)	4,160 (1887)	14'5" (4.40)	2,880 (1306)
+6' (1.83 m)	9'7" (2.92)	5,290 (2400)	10'2" (3.10)	4,680 (2123)	13'11" (4.24)	2,910 (1320)
+4' (1.22 m)	7'5" (2.25)	6,610 (2998)	8'3" (2.58)	5,590 (2536)	12'11" (3.94)	3,050 (1383)

BACKHOE OPERATIONAL DATA

	Standard Backhoe		Extendahoe®	
	Retracted	Extended	Retracted	Extended
Digging depth –				
Maximum	14'5" (4.39 m)	14'10" (4.52 m)	18'3" (5.56 m)	
Maximum w/hi-capacity bucket	14'10" (4.52 m)	15'3" (4.65 m)	18'8" (5.69 m)	
2' (610 mm) flat bottom	14'3" (4.34 m)	14'8" (4.47 m)	18'2" (5.54 m)	
8' (2.44 m) flat bottom	13'4" (4.06 m)	13'9" (4.19 m)	17'6" (5.33 m)	
Overall reach from –				
Rear axle centerline	21'5" (6.53 m)	22'0" (6.70 m)	25'5" (7.75 m)	
Swing pivot	18'1" (5.51 m)	18'5" (5.61 m)	21'10" (6.65 m)	
Loading height				
	11'2" (3.40 m)	11'5" (3.48 m)	13'3" (4.04 m)	
Loading reach – dipper retracted				
	8'9" (2.67 m)	8'8" (2.64 m)	11'6" (3.50 m)	
Swing arc				
	180°	180°	180°	
Bucket rotation –				
#1 position	164°	164°	164°	
#2 position	200°	190°	190°	
Stabilizer spread – operating				
	9'5" (2.87 m)	9'5" (2.87 m)	9'5" (2.87 m)	
Digging force –				
Bucket cylinder	12,821 lbf (57 031 N)	12,821 lbf (57 031 N)	12,821 lbf (57 031 N)	
Dipper cylinder	8,224 lbf (36 582 N)	7,784 lbf (25 066 N)	5,635 lbf (25 066 N)	
	w/bucket @ 50°	w/bucket @ 50°	w/bucket @ 51°	
Leveling angle				
maximum slope that backhoe will make vertical cut	12°	12°	12°	

NOTE: Lift capacities apply straight to the rear of prime mover. Equipped with 24" (610 mm) Universal H.D. trenching bucket and Case coupler except as noted.

STANDARD EQUIPMENT

OPERATOR'S COMPARTMENT

See page 2

ENGINE

Case 445T/M2 turbocharged diesel
Integral crank driven balancer
Automatic fan belt tensioner
Integral engine oil cooling
Fuel filter w/water trap
KKSBB starter timing control
Dual element air cleaner with integral pre-cleaner
90 amp alternator
850 CCA 12-volt battery
Heavy-duty radiator w/deaeration bottle
Non-spark-arresting muffler

LOADER

See page 2

BACKHOE

See page 2

POWERTRAIN

2WD
4F/4R Power shuttle synchromesh transmission
Torque converter
Transmission de-clutch
Electro-hydraulic differential lock
Hydrostatic steering
Wet disc brakes
Remote lube front axle pivot

HYDRAULICS

2-spool loader control valve
6-spool backhoe control valve
Heavy-duty oil cooler

OTHER

Forward tilt engine hood
Replaceable, molded front bumpers
Front/rear tie downs
Reflective logos
Lights - Cab and Canopy
2 Rear tail/stop
2 Front flashers/turn
2 Rear flashers/turn
4 Front & 4 rear adjustable halogen lights (55 w)

OPTIONAL EQUIPMENT

OPERATOR'S COMPARTMENT

Cab with –
Heater
Defroster
Dome light - door activated
Wipers, front and rear
Tinted glass
Floor mat
Side window partial hold open
Inside release for side windows
Operator Convenience Package
Tilt wheel
Windshield washer w/adjustable nozzles (front & rear)
Sun visor
Deluxe Cab Package
Operator Convenience Package
PLUS
Vinyl-covered interior
Radio-ready kit w/antenna and speakers
Reduced sound level to 72 dB(A)
Vinyl or cloth-covered mechanical suspension seat
Air Ride suspension seat
3" (76 mm) retractable seat belt
Cab air-conditioning, 100% filtered air, in-cab filter access, 8 adjustable roof vents, 2 floor vents, w/heater
Ride Control
Cab, right door

Canopy Convenience Package
Front windshield w/wiper & washer
85 dB(A) sound
Floor mat
Sun visor

LOADER

Hydraulic attachment coupler
Attachment auxiliary hydraulics
Buckets (see page 2)

BACKHOE

Case hydraulic coupler
Buckets (see page 2)
Extendahoe®
Two-lever control
Pilot Operated Control System
Fingertip Proportional
Electrohydraulic stabilizer controls.
Thumb operated Proportional
Electrohydraulic Extendahoe control
Thumb operated horn button
Thumb operated Auxiliary Hydraulic Control
Infinitely Adjustable Towers
In-Cab Switchable "Excavator to Backhoe" control pattern change
Stabilizer pads
Flip-over
Rubber pad
Front counterweights
440 lb (200 kg)
900 lb (408 kg)

ENGINE

Cold weather grid heater starting aid
Dual, 12-volt, 600CCA batteries
Fuel tank, 40 gal (151 L)
Exhaust aspirated air cleaner

POWERTRAIN

4WD w/outboard planetary drive, on-the-go push-button activation and 12 x 16.5 front tires
Powershift transmission with Autoshift (4WD unit only)

HYDRAULICS

Auxiliary backhoe uni-directional hydraulics
Auxiliary backhoe bi-directional hydraulics
Hand lever operated for manual controls
Button operated for pilot controls

OTHER

17.5L x 24 rear tires
19.5L x 24 rear tires
Tool box
Special paint

CASE CONSTRUCTION EQUIPMENT CONTACT INFORMATION

NORTH AMERICA/MEXICO:
700 STATE STREET
RACINE, WISCONSIN 53404

LATIN AMERICA:
AV. GENERAL DAVID SARNOFF 2237
32210 – 900 CONTAGEM – MG
BELO HORIZONTE BRAZIL

EUROPE/AFRICA/MIDDLE EAST:
18, PLACE DES NYMPHEAS
ZI PARIS NORD 11 95915
ROISSY CDG CEDEX FRANCE

ASIA PACIFIC:
31-67 KURRAJONG ROAD
ST. MARY'S
NEW SOUTH WALES 2760 AUSTRALIA

NOTE: All specifications are stated in accordance with SAE Standards or Recommended Practices, where applicable.

Form No. CCE9030306
Replaces Form No. CE 252-10-00

IMPORTANT: Case, LLC reserves the right to change these specifications without notice and without incurring any obligation relating to such change. Case, LLC does not warrant the safety or reliability of attachments from other manufacturers.

Visit us on the Web at:
<http://www.casece.com>
Printed in U.S.A.

© 2003 CASE, LLC.
All Rights Reserved.

A Brand of CNH