

8 4 N E T H O R S E P O W E R



JOHN DEERE

LJ

LOADERS

210LJ



Made to grade – and more.



Optional 540-rpm PTO takes your work outside the box, powering three-point-mounted tools such as mowers and posthole diggers.

Looking for an industrial-strength tractor that's widely regarded among rental yards, asphalt contractors, site developers, and landscapers as the best grading tractor on the planet? Check out our 210LJ. Its spacious operator station delivers unsurpassed visibility, comfort, and control. An easy-tilt, two-

position hood, relocated fuel tank, and same-side hydraulic and powertrain checkpoints make quick work of the daily routine, so you can get to work more quickly. And speaking of increased productivity, options such as the best-in-class four-season cab and 44-hp (continuous) PTO put even more work within reach.



Power	84 net hp
Operating Weight (w/cab)	14,510 lb.
Loader Breakout Force	7,900 lb.
Overall Height (w/cab)	104 in.

Your business will benefit from proven John Deere advantages such as smooth and responsive hydraulics, unsurpassed resale, and low daily operating costs.

High torque reserve, optimum lift-to-crowd match, and generous bucket breakout make the 210LJ a very capable loader.

Unlike some tractors, you won't find a "throwaway" diesel under the hood. Instead, you'll get the same high-torque turbocharged EPA Tier 3/EU Stage IIIA wet-sleeve John Deere engine used in our highly reliable 310J Backhoes.

With generous foot- and leg-room, the spacious workstation offers more of what it takes to make an operator productive. Adjustable seat swivels farther left or right, for a commanding rear view that won't cramp an operator's style (or neck).



Box-blade levers provide precise metering and superb control. Loader hydraulics are responsive and quick. All are optimally placed for low-effort operation.



Seat swivels 40-degrees right for an unrestricted rear view and 10-degrees left for easier entrance and exit. Ergonomically positioned pedals maximize foot room.



Easy-view diagnostic monitor displays vital operating info at a glance. Available pass-code-enabled security system helps prevent unauthorized machine movement.

Business as usual.



Its highly popular predecessor, the 210LE, set the standard. With more operating ease, visibility, comfort, and ability, the 210LJ makes the fine art of grading even easier to master. And if your work

takes you into the heat of the day, the cold of the north, or any other year-round pursuit, the optional four-season cab is a welcome addition that'll give productivity another boost.



Slightly sloped hood, curved fenders, and rear-mounted ROPS posts provide unrestricted all-around visibility. An overall height of only 104 inches (w/cab) lets the 210LJ work confidently beneath overhead structures, too.

Standard PowerShift™ transmission allows no-clutch fingertip shifting for smooth gear and direction changes.

Mechanical front-wheel drive engages on-the-go for extra traction in marginal conditions, or when moving large loads. Optional limited-slip MFWD provides true four-wheel-drive capability.

Ride-control option smooths moves over rough terrain, so full loads are more likely to arrive at their destination instead of somewhere in-between. Reduces operator fatigue, too.

Maximum uptime end to end.



Sealed front and rear axles employ beefed-up differentials. Planetary final drives distribute loads over three gears for long, trouble-free life. Inboard self-adjusting wet-disc brakes run cool, protected, and virtually maintenance-free.

One-piece high-strength unitized mainframe absorbs shock loads and resists torsional stress. Simplifies component access, too.

Box-constructed high-tensile steel loader and heavy-duty three-point hitch are built to endure the rigors of everyday use.

FNR neutral safety start and automatic park brake help keep the operator out of harm's way. Spring-applied hydraulically released park brake eliminates costly "drive-through" damage.

Optional JDLink™ Machine Monitoring System displays equipment location, usage, and health data on any computer Internet connection. Helps maximize utilization and uptime.

Far more than a “garden-variety” tractor with yellow paint, the 210LJ is all business. Although it didn’t begin its life as a backhoe like some landscape loaders, this purpose-built Deere did inherit the 310J’s durable no-compromise powertrain. Together with one-piece unitized mainframe, industrial-strength loader, and integral three-point hitch, the 210LJ has the guts to excel at a wide variety of tasks. When you know how they’re built, you’ll run a Deere.



Choose either 1- or 1.12-cu.-yd. general-purpose or 1.25-cu.-yd. multipurpose bucket. The “four-in-one” version works well for a variety of tasks such as spreading material, grading, carrying cumbersome objects, or loading trucks.



Two-hundred-pound heavier box blade employs 3/8-inch steel end plates, 5-bolt replaceable routers, and greaseable scarifier pins for extra durability.



Optional 540-rpm PTO delivers 44 continuous hp (55-hp maximum) of mechanical muscle for powering a variety of Category 2 three-point-mounted attachments.



Available Worksite Pro™ quick-coupler makes it push-button easy to switch attachments. From bucket, to forks, to whatever, it accommodates a wide variety of additions.



Although it’s known for its grading prowess, the 210LJ is equally adept at other tasks. So go ahead and add any number of front or rear attachments for year-round profitability.



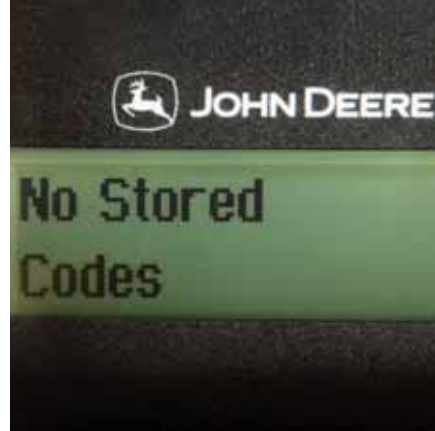
Low-temperature-circuit cooling system eliminates a stack of radiator cores, for enhanced efficiency and easier clean-out.



Loader and three-point-hitch hydraulic valve, linkages, and hoses are easily accessible, for simplified service.



Convenient periodic maintenance and lubrication chart helps ensure that nothing gets overlooked.



If something goes wrong, the multi-language monitor displays easy-to-understand diagnostic info to help get you back up and running quickly.

Open wide and be awed.

Tilt the hood and discover the many advantages that make the 210LJ so simple to service and inexpensive to operate. Same-side ground-level service access makes quick work of daily checks. Extended service intervals let you work longer between changes. And because no maintenance

beats low maintenance, self-adjusting serpentine belt, park brake, and self-adjusting wet-disc brakes seldom, if ever, require attention. With the 210LJ, you'll spend less time and expense getting ready to work — and more time getting work done.



Two-position tilt hood provides same-side ground-level access to engine and transmission dipsticks, engine oil fill, fuel filter, air filter, and coolant reservoir. Fuel fill is also nearby.

Five-hundred-hour engine oil and 2,000-hour hydraulic oil service intervals enable the 210LJ to work longer between changes. Conveniently located sight gauge lets you check hydraulic fluid levels at a glance.

Vertical spin-on engine, transmission, and hydraulic filters and quick-release fuel filters allow quick, no-spill changes.

Specifications

Engine	210LJ		
Manufacturer and Model	John Deere PowerTech™ E 4045HT turbocharged, standard		
Non-Road Emission Standards	EPA Tier 3/EU Stage IIIA		
Displacement	.276 cu. in. (4.5 L)		
Net Peak Power (ISO9249)	.84 hp (62.6 kW) @ 2,000 rpm		
Net Peak Torque (ISO9249)	.270 lb.-ft. (367 Nm) @ 1,300 rpm		
Net Torque Rise	.47%		
Lubrication	.pressure system with spin-on filter and cooler		
Air Cleaner	.dual-stage dry type with safety element and evacuator valve		
Cooling			
Fan Type	.suction type		
Engine Coolant Rating	.-34 deg. F (-37 deg. C)		
Engine Oil Cooler	.oil-to-water		
Powertrain			
Transmission	.4-speed, helical-cut gears, full PowerShift™ with hydraulic reverser standard; electric clutch cutoff on loader lever		
Torque Converter	.single stage, dual phase with 2.63:1 stall ratio; 11 in. (280 mm)		
Travel Speeds	<i>Forward</i>	<i>Reverse</i>	
Gear 1	.3.5 mph (5.6 km/h)	4.3 mph (7.0 km/h)	
Gear 2	.6.3 mph (10.2 km/h)	8.0 mph (12.9 km/h)	
Gear 3	.13.0 mph (20.9 km/h)	N/A	
Gear 4	.21.7 mph (34.9 km/h)	N/A	
Axles	.open differential (mechanical-front-wheel drive) front; electrohydraulic locking rear, foot actuated; optional front automatic; traction-control limited slip		
Axle Oscillations, Stop to Stop, Both Axles	.22 deg.		
Axle Ratings	<i>Static</i>	<i>Dynamic</i>	<i>Ultimate</i>
Mechanical-Front-Wheel Drive	.26,455 lb. (12 000 kg)	12,787 lb. (5800 kg)	62,170 lb. (28 200 kg)
Rear	.28,660 lb. (13 000 kg)	15,432 lb. (7000 kg)	67,461 lb. (30 600 kg)
Steering	.hydrostatic power steering (SAE J1151) and emergency steering (ISO5010)		
Axle, Mechanical-Front-Wheel Drive	<i>With Brakes</i>	<i>Without Brakes</i>	
Curb-Turning Radius	.8 ft. 6 in. (2.59 m)	13 ft. 0 in. (3.96 m)	
Bucket Clearance Circle	.31 ft. 4 in. (9.55 m)	35 ft. 0 in. (10.67 m)	
Steering Wheel Turns, Lock to Lock	.2.8		
Final Drive, Mechanical Front Wheel	.heavy-duty, outboard planetary final drives distribute shock loads over 3 gears		
Brakes (conform to SAE J1473)			
Service	.power assisted, hydraulic wet disc, mounted inboard, self-adjusting and self-equalizing		
Parking	.spring-applied, hydraulically released, wet, multi disc, independent of service brakes with electric switch control; self-engaging with engine shutdown		
Hydraulics			
Main Pump	.open-center, single-gear pump, integral priority valve		
Rated rpm	.2,250		
Pump Flow			
Hitch	.11.0 gpm (42 L/m)		
Loader	.25.3 gpm (96 L/m)		
System Relief Pressure	.2,750 psi (18 961 kPa)		
Hitch Controls			
Standard	.4-lever, single tilt cylinder		
Optional	.5-lever dual tilt (includes auxiliary)		
Loader Controls			
Standard	.single-lever control with electric clutch cutoff switch		
Optional	.manual auxiliary function		
Cylinders			
Heat-treated, chrome-plated, polished rods; hardened-steel (replaceable bushings) pivot pins			
	<i>Bore</i>	<i>Rod Diameter</i>	<i>Stroke</i>
Loader Boom (2)	.3.15 in. (80 mm)	1.97 in. (50 mm)	31.10 in. (790 mm)
Loader Bucket (1)	.3.54 in. (90 mm)	1.97 in. (50 mm)	29.29 in. (744 mm)
Hitch			
Lift (1)	.3.00 in. (76.2 mm)	2.00 in. (50.8 mm)	7.75 in. (196.9 mm)
Pitch (1)	.2.50 in. (63.5 mm)	1.25 in. (31.8 mm)	6.75 in. (171.5 mm)
Tilt (1 or 2)	.3.00 in. (76.2 mm)	2.00 in. (50.8 mm)	4.75 in. (120.7 mm)
Mechanical-Front-Wheel Drive (1)	.2.64 in. (67.0 mm)	1.65 in. (42.0 mm)	8.27 in. (210.0 mm)

Electrical **210LJ**

Voltage12 volt
 Alternator Rating70 amp (90 amp included with cab)

Operator Station

Canopy, solid mounted, ROPS/FOPS, left access, with 2-post ROPS and steel roof

Overall Vehicle

Unitized one-piece construction mainframe; vehicle tiedowns (2 front and 2 rear); toolbox; tilt hood (2 position)

Tires/Wheels

	<i>Front</i>	<i>Rear</i>
With Mechanical-Front-Wheel Drive	12-16.5, 8 PR	16.9-24, 8 PR R4

Serviceability

Hydraulic Oil Filter, Spin-On Enclosed Replaceable
 Element, Vertically Mounted6-micron filtration / 1,000 service hours

Refill Capacities

Cooling System	26.4 qt. (25.0 L)	Hydraulic System	16.3 gal. (61.5 L)
Rear Axle	19.0 qt. (18.0 L)	Hydraulic Reservoir	10.2 gal. (38.6 L)
Engine Oil (including vertical spin-on filter)	14.0 qt. (13.0 L)	Mechanical-Front-Wheel-Drive Axle Housing	7.0 qt. (6.6 L)
Torque Converter and Transmission	14.7 qt. (13.9 L)	Mechanical-Front-Wheel Planetary Housing (each)	1.0 qt. (1.0 L)
Fuel Tank (with ground-level fueling)	27.0 gal. (102.2 L)		

Operating Weights

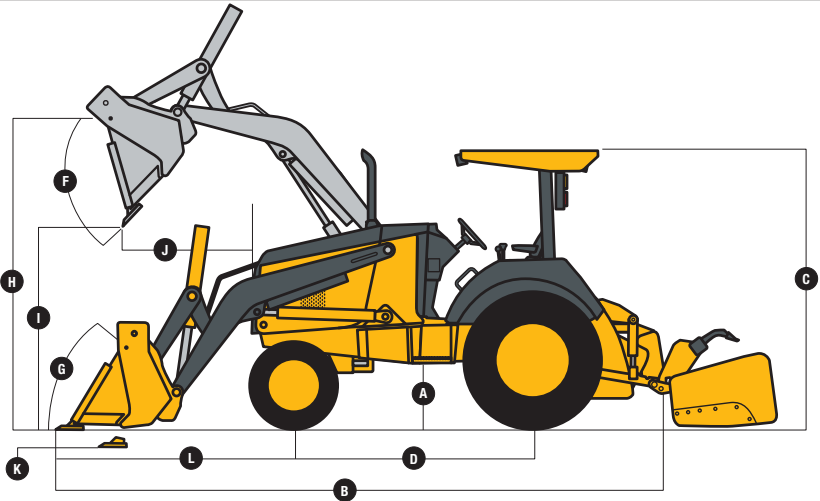
With Full Fuel Tank, 175-lb. (79 kg) Operator, and
 Standard Equipment9,130 lb. (4140 kg)
 Typical with Canopy, Mechanical-Front-Wheel Drive,
 Single Battery, 2x4 Valve, 1.125-cu.-yd. (0.86 m³)
 Loader Bucket, 1,000-lb. (454 kg) Wheel Weights,
 Deluxe Electrical, and 84-in. (2134 mm) Box Blade ...13,710 lb. (6217 kg)

Optional Components

Cab800 lb. (363 kg)
 Front Loader Coupler630 lb. (286 kg)

Overall Dimensions

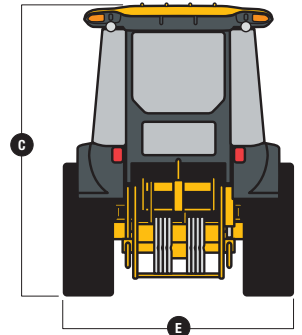
A Ground Clearance, Minimum11.3 in. (287 mm)
B Overall Length, Transport (without box blade)17 ft. 2 in. (5.23 m)
C Transport Height
 Canopy8 ft. 4 in. (2.54 m)
 Cab8 ft. 8 in. (2.64 m)
D Length From Axle To Axle (mechanical-front-
 wheel-drive axle).....6 ft. 11 in. (2.12 m)
E Width Over Tires.....7 ft. 0 in. (2.13 m)



Loader Dimensions and Performance

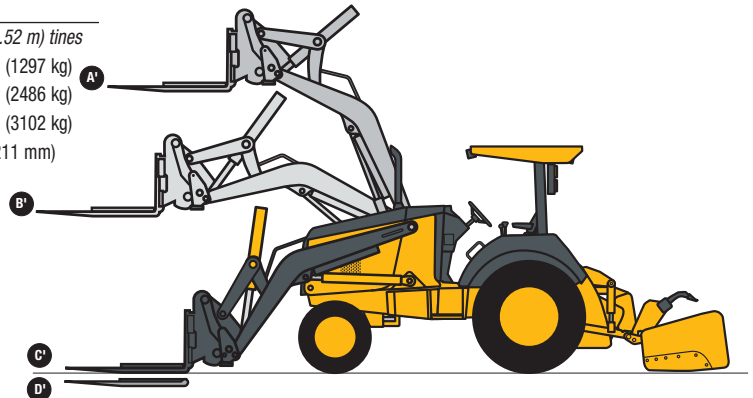
F Bucket Dump Angle, Maximum45 deg.
G Rollback Angle at Ground Level40 deg.
 Heavy-Duty Long Lip
 Bucket Width86 in. (2184 mm)
 Bucket Capacity1.00 cu. yd. (0.77 m³)
 Breakout Force.....7,900 lb. (35.1 kN)
 Lift Capacity, Full Height.....5,280 lb. (2397 kg)
H Height to Bucket Hinge Pin, Maximum10 ft. 11 in. (3.34 m)
I Dump Clearance, Bucket at 45 deg.8 ft. 9 in. (2.67 m)
J Reach at Full Height, Bucket at 45 deg.36 in. (914 mm)
K Digging Depth Below Ground, Bucket Level8 in. (203 mm)
L Length From Front Axle Centerline to Bucket
 Cutting Edge.....6 ft. 8 in. (2.03 m)

<i>Heavy-Duty Long Lip</i>	<i>Multipurpose</i>
86 in. (2184 mm)	86 in. (2184 mm)
1.12 cu. yd. (0.86 m³)	1.25 cu. yd. (0.96 m³)
7,750 lb. (34.5 kN)	6,900 lb. (30.7 kN)
5,100 lb. (2315 kg)	4,600 lb. (2088 kg)
10 ft. 11 in. (3.34 m)	10 ft. 11 in. (3.34 m)
8 ft. 9 in. (2.67 m)	8 ft. 9 in. (2.67 m)
36 in. (914 mm)	36 in. (914 mm)
8 in. (203 mm)	8 in. (203 mm)
6 ft. 8 in. (2.03 m)	7 ft. 1 in. (2.15 m)



Lift Capacity with Quick-Coupler / Forks

Hydraulic Capacity	48-in. (1.22 m) tines	60-in. (1.52 m) tines
A Maximum Height	3,086 lb. (1400 kg)	2,860 lb. (1297 kg)
B Maximum Reach	5,786 lb. (2624 kg)	5,480 lb. (2486 kg)
C At Ground Line.....	7,247 lb. (3287 kg)	6,839 lb. (3102 kg)
D Below Ground Line.....	8.3 in. (211 mm)	8.3 in. (211 mm)



210LJ LANDSCAPE LOADER

Key: ● Standard equipment ▲ Optional or special equipment

See your John Deere dealer for further information.

210LJ Engine

- Meets EPA Tier 3/EU Stage IIIA emissions
- John Deere model 4045HT – 4.5 liter, 84 net peak hp (62.6 kW) turbocharged, isolation mounted
- Vertical spin-on engine oil filter
- Coolant recovery tank
- Serpentine belt with automatic belt tensioner
- Enclosed safety fan guard
- Muffler, underhood with curved-end exhaust stack
- ▲ Electric ether starting aid
- ▲ Engine coolant heater, 1,000 watts*

Powertrain

- PowerShift transmission: Torque converter with electrically actuated twist grip F-N-R with neutral safety switch interlock (1st through 4th gears)
- Transmission oil cooler
- Vertical spin-on transmission filter
- Differential lock, electric foot actuated
- Power-assisted hydraulic service brakes (conform to ISO3450): Inboard, wet multi-disc, self-adjusting and self-equalizing
- Parking/emergency brake with electric switch control (conforms to ISO3450): Spring applied, hydraulically released wet multi-disc / Independent of service brakes
- Mechanical-front-wheel-drive, standard differential, sealed axle
- ▲ Mechanical-front-wheel-drive, limited slip, sealed axle
- ▲ Transmission guard

Category II 3-Point Hitch

- Integral Category II
- 4-function sectional hydraulic valve, 4th-function auxiliary with capped hoses
- ▲ 5th-function auxiliary valve with control lever
- ▲ 2nd tilt cylinder

Loader

- Hydraulic self leveling
- Return-to-dig feature
- Bucket-level indicator
- Single-lever control with electric clutch cutoff switch
- Loader boom service lock
- ▲ Ride control
- ▲ Front loader hydraulic coupler for buckets, forks, etc.

210LJ Loader (continued)

- ▲ 3rd-function valve and lever for auxiliary equipment
- ▲ Tractor built with no loader arms for use in confined areas

Hydraulic System

- 25 gpm (95 L/min.)
- Independent hydraulic reservoir
- Hydraulic oil cooler
- “O”-ring face seal connectors
- 6-micron vertical spin-on filter

Electrical

- 12 volt, 70 amp
- Single battery, 190-min. reserve
- ▲ Dual batteries, 380-min. reserve
- Positive terminal battery cover
- Blade-type multi-fused circuits
- By-pass start safety cover on starter

Lights

- Front halogen driving/work lights (2)
- Combination turn signal/flashing lights (2)
- Rear stop/taillights (2)
- Rear reflectors (2)
- ▲ Canopy lighting package: Rear work lights (2), 12-volt outlets (2), and battery disconnect switch

Operator's Station

- 2-post ROPS/FOPS canopy with steel roof (conforms to SAE J1040)
- ▲ Cab: Air conditioning (26,000-Btu/hr. [7.6 kW] output and CFC-free R-134a refrigerant), headliner, dome light, tinted safety glass, deluxe interior trim, molded floor mats, left cab door, right emergency egress, front windshield wiper, front windshield washer, heater/defroster/pressurizer (40,000-Btu/hr. [11.7 kW] heater), 90-amp alternator, 12-volt outlets (2), rear working halogen lights (2), and rotating mechanical suspension cloth seat
- Electric monitor system with audible and/or visual warning: Service code indicator / Air cleaner restriction / Low alternator voltage / Engine coolant temperature / Engine oil pressure / Hydraulic filter restriction indicator / Park brake on/off / Seat belt / Torque converter temperature

210LJ Operator's Station (continued)

- Engine coolant temperature gauge, illuminated fuel gauge, illuminated digital: Hour meter / Engine rpm / System voltage / Job timer / Machine information
- Left front access
- Slip-resistant steps and ergonomically located handholds
- Built-in Operator's Manual storage compartment with manual
- Interior rearview mirror
- Foot throttle
- ▲ Hand throttle
- Horn
- Key start switch with electric fuel shutoff
- Suspension vinyl seat with flip-up armrests, backrest angle adjustment, swivel base, 3-in. retractable seat belt
- ▲ Non-suspension vinyl seat with flip-up armrests and 3-in. retractable seat belt

Loader Buckets

- Less bucket, with bucket pins
- ▲ Heavy-duty bucket with cutting edge, and skid plates
- ▲ Multipurpose bucket with cutting edge and skid plates

Box Blade

- ▲ 84-in. heavy-duty with hydraulically actuated ripper bar and replaceable router blades
- ▲ 88-in. heavy-duty with hydraulically actuated ripper bar and replaceable router blades

Overall Vehicle

- One-piece unitized construction mainframe
- Vehicle tiedowns, front (2) and rear (2)
- Vandal protection for instrument panel, access doors, fuel tank, and hydraulic reservoir
- Reverse warning alarm
- ▲ 3-point hitch counterweight
- ▲ Wheel weights
- ▲ Hydromechanical PTO, 540 rpm
- ▲ 3-point hitch weight box
- ▲ Drawbar, fixed single position
- ▲ JDLink™ wireless communication system (available only in U.S. and Canada)

*Field-installed option.

CONTROL OWNING AND OPERATING COSTS

Customer Personal Service (CPS) is part of our proactive, fix-before-fail strategy on machine maintenance that will help control costs, increase profits, and reduce stress. Included in this comprehensive lineup of ongoing programs and services are:

Customer Support Advisors (CSAs) lend a *personal* touch to Customer Personal Service (CPS). Certified CSAs have the knowledge and skills for helping make important decisions on machine maintenance and repair. Their mission is to help you implement a plan that's right for your business and take the burden of machine maintenance off your shoulders.

Fluid analysis program tells you what's going on inside *all* of your machine's major components so you'll know if there's a problem *before* you see a decline in performance. Fluid analysis is included in most extended coverage and preventive-maintenance agreements.

Component life-cycle data gives you vital information on the projected life span of components and lets you make informed decisions on machine maintenance by telling you approximately how many hours of use you can expect from an engine, transmission, or hydraulic pump.

This information can be used to preempt catastrophic downtime by servicing major components at about 80 percent of their life cycle.

Preventive Maintenance (PM) agreements give you a fixed cost for maintaining a machine for a given period of time. They also help you avoid downtime by ensuring that critical maintenance work gets done right and on schedule. On-site preventive maintenance service performed where and when you need it helps protect you from the expense of catastrophic failures and lets you avoid waste-disposal hassles.

Extended coverage gives you a fixed cost for machine repairs for a given period of time so you can effectively manage costs. Whether you work in a severe-service setting or just want to spread the risk of doing business, this is a great way to custom-fit coverage for your operation. And an extended coverage contract also travels well because it's backed by John Deere and is honored by *all* Deere construction dealers.



JOHN DEERE

03-24-10

Net engine power is with standard equipment including air cleaner, exhaust system, alternator, and cooling fan at test conditions specified per ISO9249. No derating is required up to 5,000-ft. (1500 m) altitude.

Specifications and design subject to change without notice. Wherever applicable, specifications are in accordance with SAE and/or ISO standards. Except where otherwise noted, these specifications are based on a unit with 16.9-24, 8 PR R4 rear tires; 12-16.5, 8 PR NHS front tires; 1.00-cu. yd. (0.76 m³) loader bucket; full fuel tank; and 175-lb. (79 kg) operator.

